

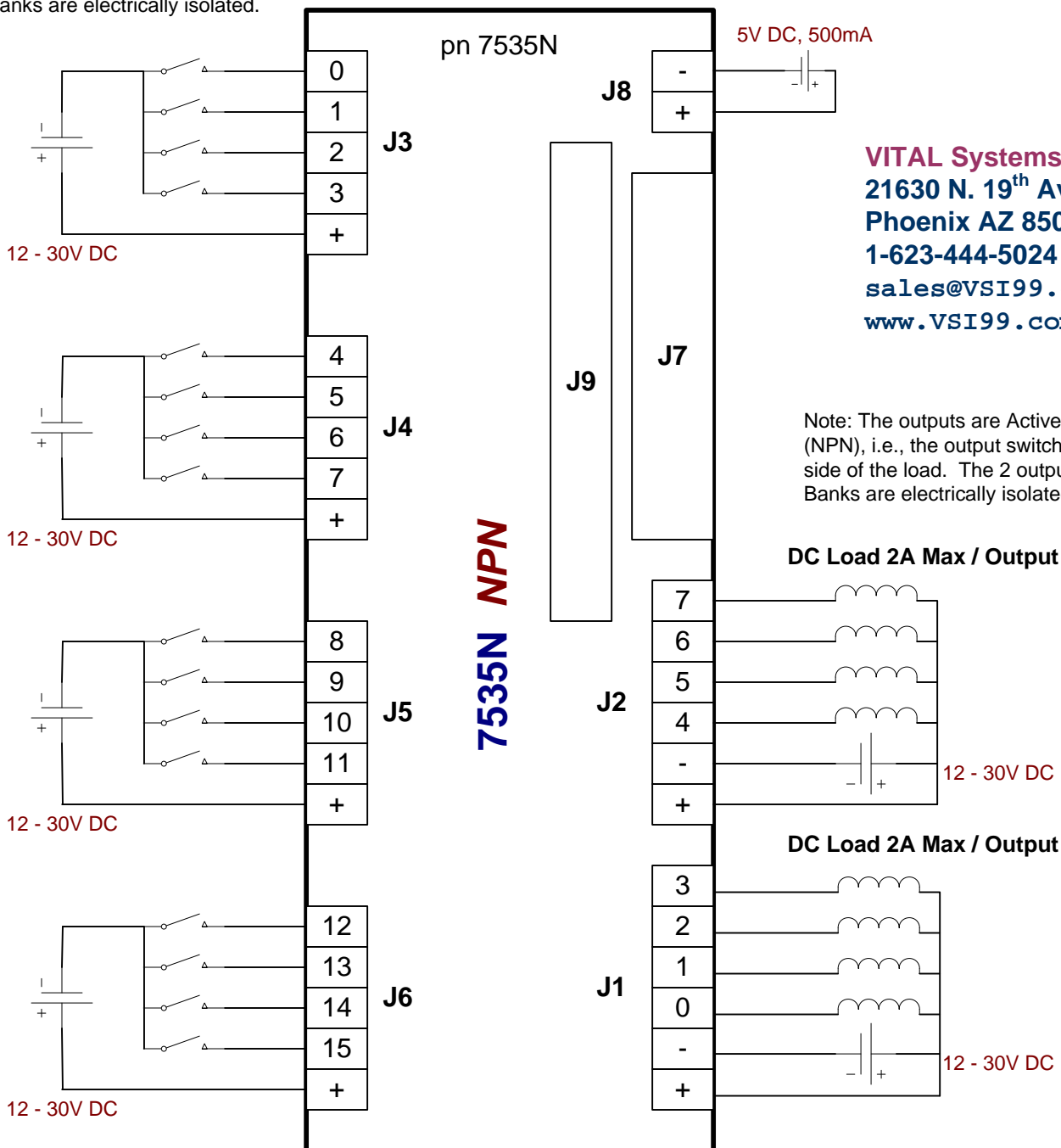
I/O Board pn 7535N **NPN**

- Opto Isolation
- Opto22 type 50-pin Connector
- DB25 Auxiliary Connector
- NPN Sinking type Inputs and Outputs
- 12-30VDC I/O
- 2Amp per Output
- Screw Terminals

Note: The Inputs are Active Low (NPN), i.e., apply 0v DC (Ground) to activate the input. The 4 Input Banks are electrically isolated.

Connector Description

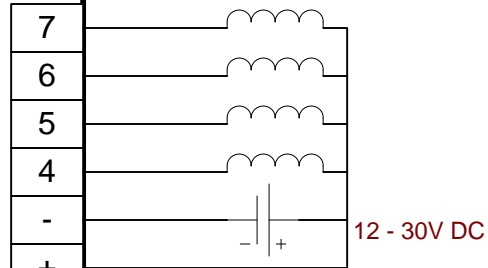
- J8 Logic Power. Shares Common ground with the controller. Must be Connected to 5 Volts power from controller or external power.
- J9, J7 Connection to Controller
- J1, J2 Output Connectors. The two connectors are isolated from each other and also from the controller. Load can be any DC type device taking up to 2Amps current and 12 to 30 Volts.
- J3..J6 Input Connectors. Isolated from each other and from the controller. Input Voltage range from 12 to 30 Volts DC.



VITAL Systems Inc
 21630 N. 19th Ave Suite B8
 Phoenix AZ 85027 USA
 1-623-444-5024
 sales@VSI99.com
 www.VSI99.com

Note: The outputs are Active Low (NPN), i.e., the output switches Low side of the load. The 2 output Banks are electrically isolated.

DC Load 2A Max / Output



DC Load 2A Max / Output

