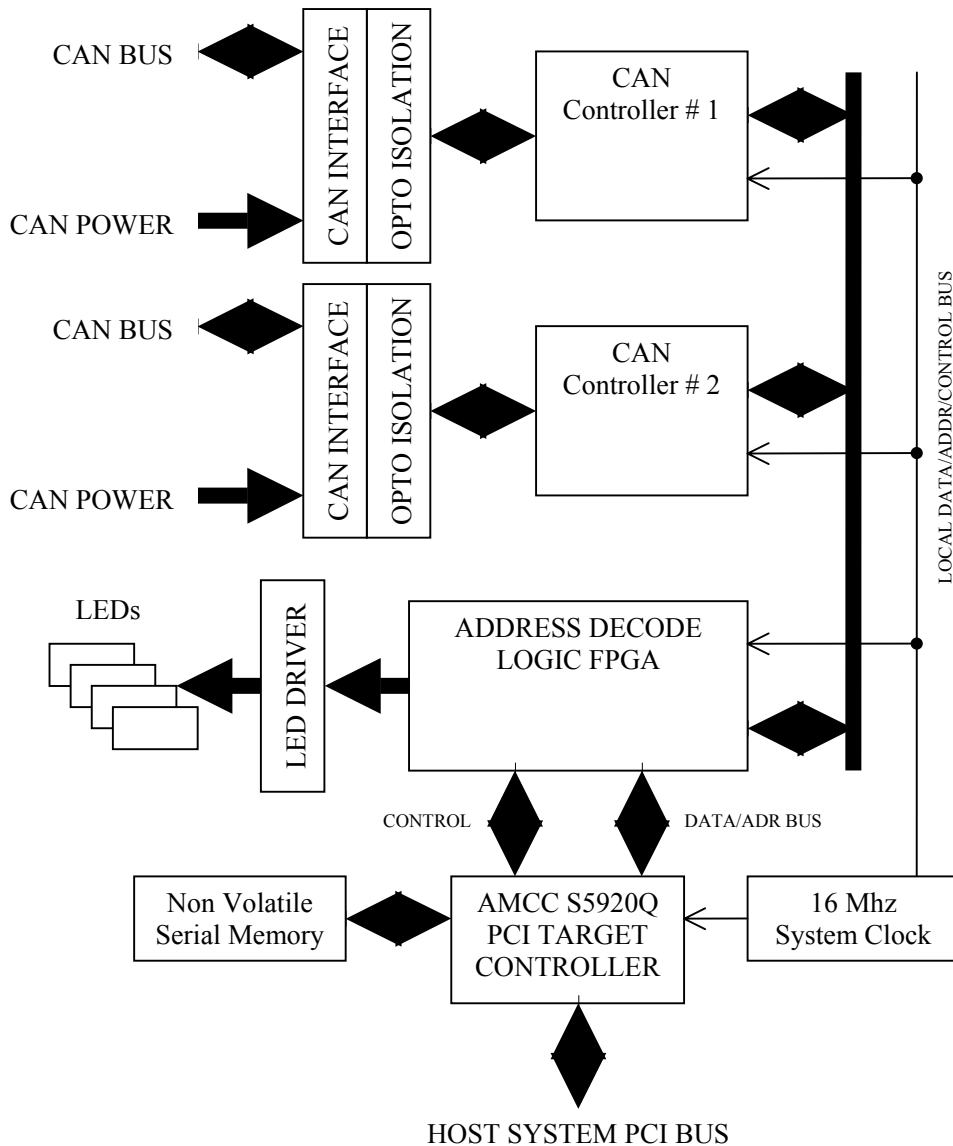


PCI 7202B – Dual Channel CAN Controller Technical Data

Key Features

- Up to 1 Mbps CAN Bus Speed
- 2 Powerful SJA1000 Philips CAN Controllers
- LED Indicators for easy system Debugging
- Small PCI Slot card
- Power & Ground Planes for EMI noise immunity
- Optically Isolated from CAN Bus
- S5920Q PCI Target Controller



PCI7202B – DUAL Channel CAN Controller